

TURNSOLE  
Powered by OMRON

# THE ULTIMATE PLUG-AND-PLAY TRACKING SYSTEM



**2.7 GW**  
PROJECTS SUPPLIED



**800 MW**  
DEVELOPMENT EXPERIENCE



**10+ YEARS**  
EXPERIENCE IN SOLAR



**20+ OFFICES**  
ACROSS 5 CONTINENTS



**2,500**  
QUALIFIED INSTALLERS



## DEVELOPED WITH OVER A DECADE OF TRACKER EXPERIENCE

TURNSOLE Powered by OMRON is a fully integrated project solution, based on a horizontal single axis tracker system, engineered and optimised using world-class PV components (modules, inverters and BOS). The technology has evolved from a combination of more than 10 years' tracker and 80 years' electronics experience. Developed in partnership with OMRON, the Japanese leader in power electronics, our TURNSOLE solution embodies technological advancement focusing on robustness and reliability.



## ABOUT PROINSO

PROINSO is a global leader in the solar energy market with business units in distribution and integration, technology and project development services. We offer full-service portfolio for solar projects of all scales including procurement, engineering, project development, finance and construction. PROINSO's Qualified Installer Network is our go-to workforce for installation and O&M services; counting over 2,500 certified solar installers.



### ROBUST & RELIABLE

Our tracking solution combines engineering expertise from PROINSO's long-term strategic supply partners, all global leaders in their respective technologies.



### INCREASED YIELD

Our tracking system will increase energy yield on your projects by up to 25% (compared to fixed-structure installations).



### ONE-STOP-SHOP SOLUTION

TURNSOLE Powered by OMRON is more than a tracker. This powerful tracking system is fully integrated using world-class solar PV components.



### REDUCED INSTALLATION COSTS

Our ready-to-use tracker will lessen installation and maintenance time. Simplified installation of TURNSOLE Powered by OMRON tracking system will result in lower man-hours, while optimised foundation design reduces civil work costs.



### FIT FOR ALL TERRAINS

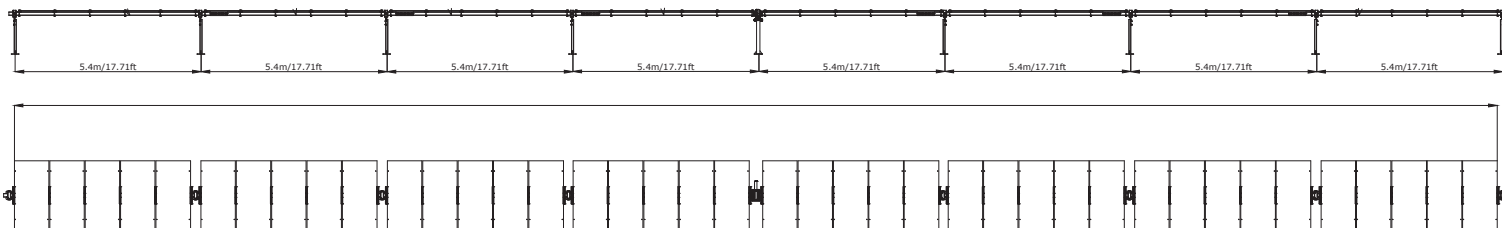
Thanks to its optimized design featuring 40 panels in a single line, TURNSOLE Powered by OMRON has a high degree of flexibility, which makes it suitable for even the most complicated shaped terrains.



### GLOBAL INSTALLATION & SERVICE

We are proud of our exclusive network of Qualified Installers who demonstrate technical expertise and comply with the highest professional standards in the industry.

# THE ULTIMATE PLUG-AND-PLAY TRACKING SYSTEM

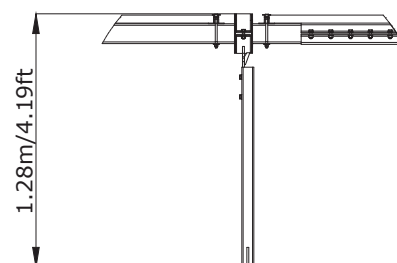


## MAIN FEATURES

<b>TRACKER TYPE</b>	Horizontal Single Axis
<b>TRACKING RANGE</b>	110 degrees ( $\pm 55$ degrees)
<b>MAXIMUM ROW SIZE</b>	40 Modules
<b>DRIVE MOTOR</b>	Slew Drive, 24 V DC Motor
<b>DC CAPACITY</b>	Up to 13 kW
<b>SYSTEM VOLTAGE</b>	1000 V and 1500 V Options (Depending on System Design)
<b>SUPPORTED MODULES</b>	Standard: 72 cells / Optional: 60 Cells
<b>FOUNDATION TYPES</b>	Rammed Pile / Piles Embedded / Screw / Concrete
<b>N-S TOLERANCES IN SLOPE</b>	10%
<b>E-W TOLERANCES IN SLOPE</b>	No Restrictions
<b>WIND LOADS</b>	160 km/h (99.4mph) up to 190 km/h (118mph)
<b>OPERATING TEMPERATURE RANGE</b>	From $-40^{\circ}$ to $+80^{\circ}$
<b>MATERIALS</b>	HDG S275/S355 or Similar and Aluminium T5
<b>TYPICAL DIMENSIONS</b>	Width: 2.1 m (6.9ft) / Length: 42 m (137.8ft) / Height: Flexible

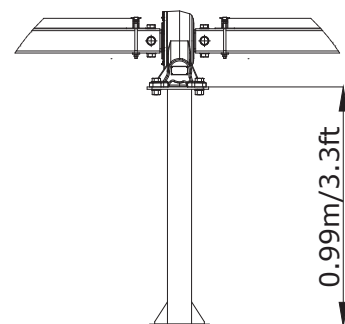
## TURNSOLE

Powered by OMRON



## CONTROL SPECIFICATIONS

<b>SOLAR TRACKING ALGORITHM</b>	Astronomical with Backtracking Option
<b>CONTROL ELECTRONICS</b>	OMRON Control System
<b>IP MARKING (FIRE PROTECTION)</b>	IP65
<b>HARDWARE MARKING</b>	8.8 Grade
<b>SENSOR</b>	Inclinometer
<b>WIND PROTECTION</b>	3 Adjustable Wind Alarms



## COMMUNICATION

<b>WIRED</b>	RS485/Ethernet
--------------	----------------

## OTHER SERVICES

<b>SYSTEM CONFIGURATION</b>	YES
<b>TRAININGS WORLDWIDE</b>	YES
<b>TRACKER INSTALLATION</b>	YES
<b>OPERATIONS &amp; MAINTENANCE</b>	YES
<b>TECHNICAL SUPPORT WORLDWIDE</b>	YES

## WARRANTY

<b>STRUCTURE</b>	10 years
<b>MOTOR</b>	5 years

### PROINSO HQ

943 Yeovil Road  
SL1 4NH Slough  
UNITED KINGDOM  
info@proinso.net  
+44 (0) 17 5353 8448

### PROINSO SOUTH AFRICA

7th Floor, Mandela Rhodes Place,  
Cnr of Wale and Burg Street,  
Cape Town, 8000,  
South Africa  
southafrica@proinso.net  
+(27) 021 410 8908

### PROINSO AMERICAS

1030 Riverside PKWY Suite 130  
West Sacramento  
CA 95605, United States  
usa@proinso.net  
(+1) 916 374 8722

### PROINSO EAST ASIA

15th Floor, 100 Queen's Road  
Center Central, Hong Kong  
china@proinso.net  
+852 3960 6363

### PROINSO SOUTH ASIA

2-22 Evergreen Industrial  
Estate Shakti Mill Lane  
Mahalaxmi  
400011 Mumbai, India  
india@proinso.net  
(+91) 022 4004 2286